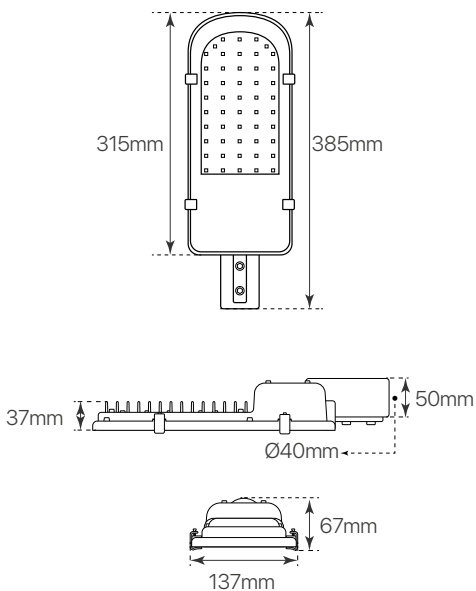
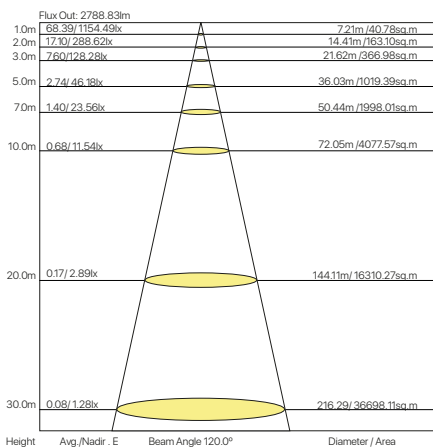


# cheap ficha técnica datasheet

ref. 5550288



The average Illuminance Effective Figure



|  |                                       |
|--|---------------------------------------|
| Nombre / Name  | Cheap • vial led                      |
| Referencia / Reference                               | 5550288                               |
| Materiales / Materials                               | Aluminio + Cristal / Aluminum + Glass |
| Difusor / Diffuser                                   | -                                     |
| Potencia / Power                                     | 30W                                   |
| Temperatura de color / Color temperature             | 4000K                                 |
| Flujo luminoso / Luminous flux                       | 3000lm                                |
| Dimable / Dimmable                                   | -                                     |
| Ángulo de apertura / Beam angle                      | 120°                                  |
| Ángulo de inclinación / Inclination angle            | -                                     |
| IP   | 65                                    |
| IK   | 08                                    |
| F.P  | >0,9                                  |
| UGR  | <19                                   |
| IRC  | >70                                   |
| Chip   | EPISTAR 5730                          |
| Driver   | i-TEC series                          |
| Vida media ( duración ) / Average life               | ± 30,000 h                            |
| Clase energética / Energy class                      | A++                                   |
| Aislamiento eléctrico / Electrical isolation         | Clase I / Class I                     |
| Colores / Colors                                     | Gris plata / Grey silver              |
| Medida exterior / Product size                       | 385mm x 137mm x 67mm                  |
| Medidas de corte / Cutting measurements              | 5kV                                   |
| Protección contra Sobretensiones / surge protections | -25°C ~60°C                           |
| Input  | AC 85 ~ 265V                          |
| Output   | DC 32V                                |
| Frecuencia / Frequency                               | 50/60Hz                               |
| Peso / Weight  | 1,30kg                                |
| Certificados / Certificates                          | CE&RoHS                               |
| Garantía / Warranty                                  | 2 años                                |